

LEGEND

	CONSTRUCTION / EMERGENCY TUNNEL
	ACCESS TUNNEL
	VENTILATION TUNNEL
	VERTICAL VENTILATION SHAFT
	POWER CAVERN
	TUNNEL PORTALS

- NOTES**
- DRAWING IS FOR INDICATIVE PURPOSES ONLY.
 - ALL SECTIONS ARE INDICATIVE.
 - TUNNEL LINING THICKNESS IS SUBJECT TO ROCK SUPPORT DESIGN AT THE NEXT DESIGN PHASE. MINIMUM THICKNESS OF 400mm IS SHOWN INDICATIVELY.
 - UPPER HEADPOIND SHOWN FOR REFERENCE.
 - REFER TO FIGURE 2.14 - POWER TUNNEL SECTION AND FIGURE 2.10 - WATERWAYS AND TUNNELS SECTION

APPROVED FOR ISSUE

A	HY	TP
I/R	DRAWN BY	CHECKED
		APPROVED

ISSUE/REVISION

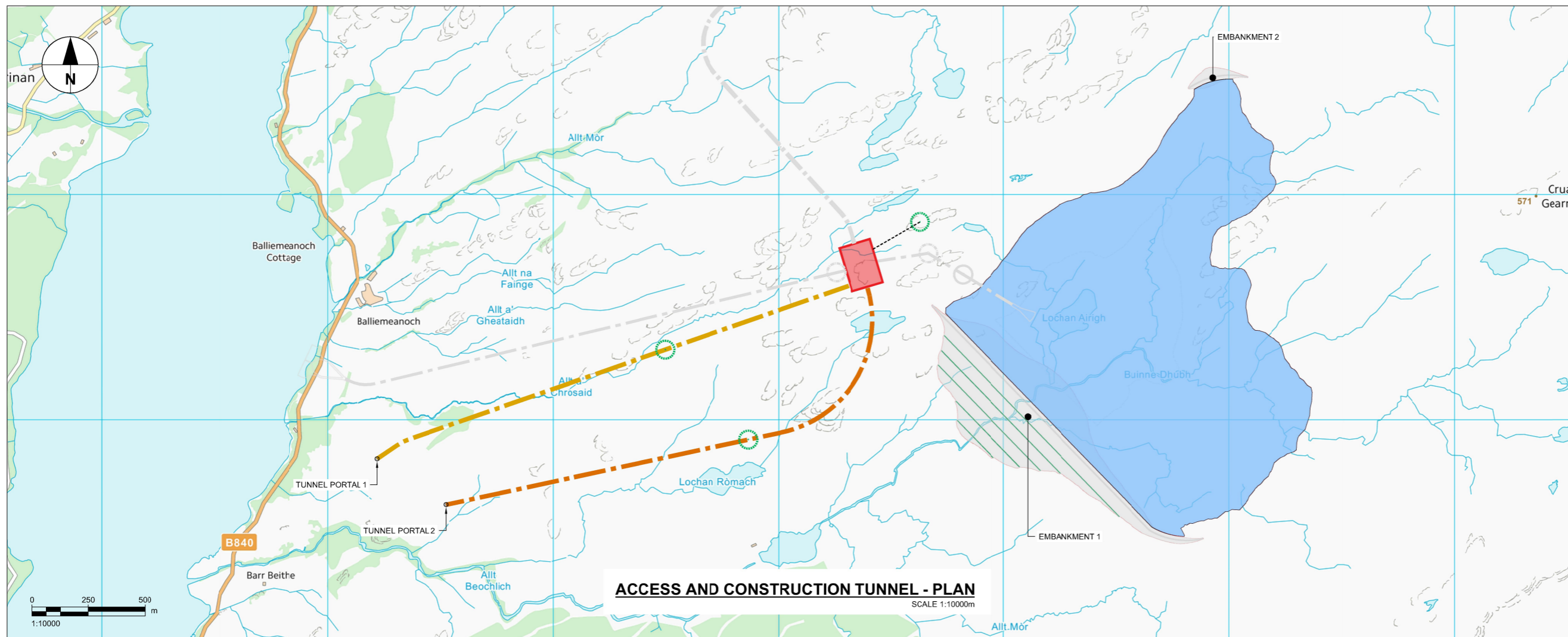
A	JULY 2024	FINAL
I/R	DATE	DESCRIPTION

SHEET TITLE

ACCESS AND CONSTRUCTION TUNNEL SECTIONS

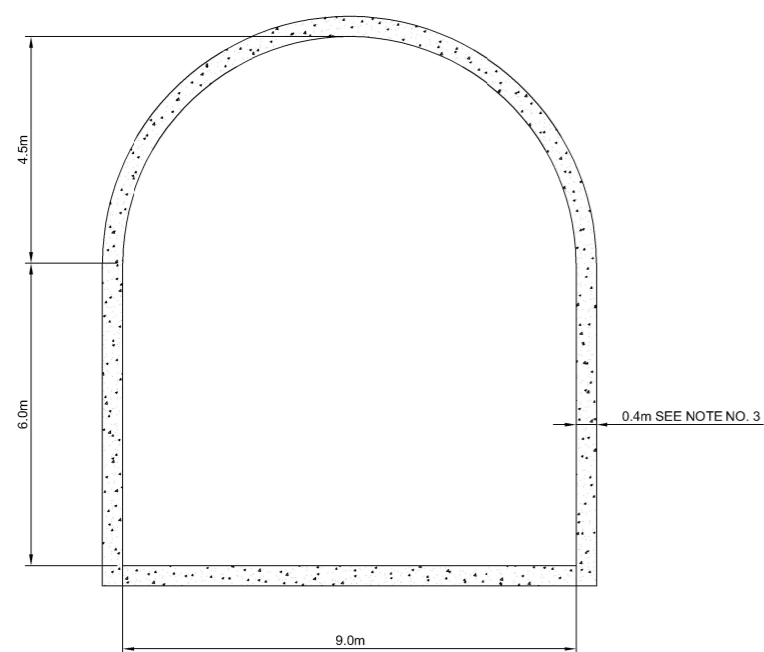
FIGURE NUMBER

FIGURE 2.13



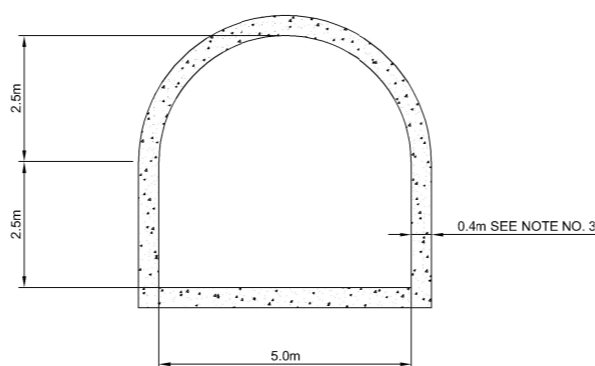
ACCESS AND CONSTRUCTION TUNNEL - PLAN

SCALE 1:10000m



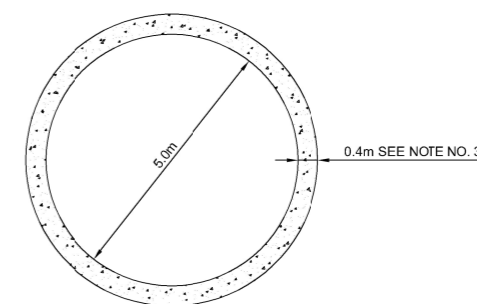
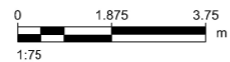
ACCESS TUNNEL SECTION

SCALE 1:75m



CONSTRUCTION / EMERGENCY TUNNEL SECTION

SCALE 1:75m



VENTILATION SHAFT - SECTIONAL PLAN

SCALE 1:75m



FOR INFORMATION ONLY NOT FOR CONSTRUCTION